

Instructions for Installation



1. Installation and commissioning may only be carried out by authorised specialists and wired per the latest IEE Electrical Regulations or the National Standards.
2. Any modifications to the component(s) may be carried out exclusively by qualified personnel and according to applicable provisions and regulations.
3. The manufacturer shall not be liable for any damage resulting from inappropriate modifications to the luminaire or faulty installation.
4. Indoor use only.



You can help protect the environment!



Please remember to respect the local regulations: hand in non-working electrical equipment to an appropriate waste disposal centre. The packaging material is recyclable. Please dispose of the packaging in an environmentally friendly manner and make it available for the recyclable material collection service.

ZG Lighting Australia Pty Ltd

2/7 Millner Ave. Horsley Park,
NSW 2175, AUS

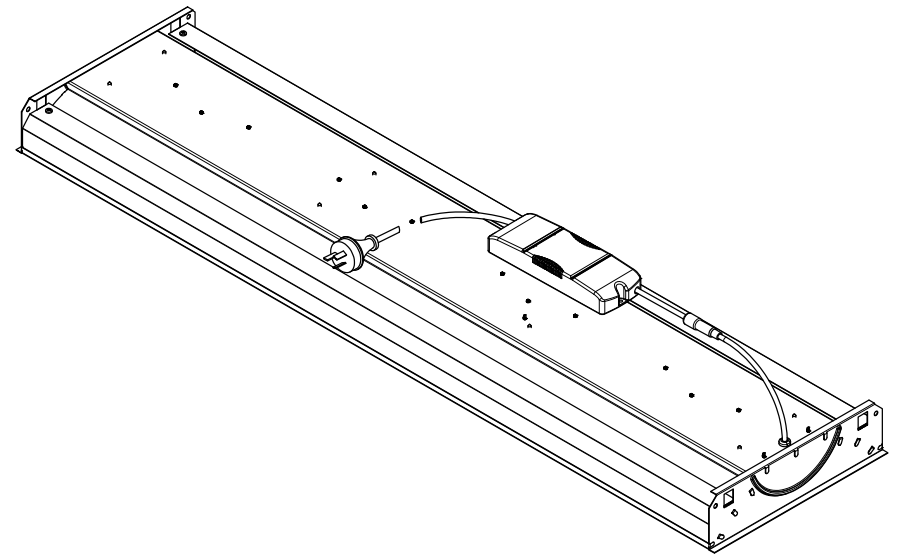
www.thornlighting.com.au

AH BAFFLE KIT

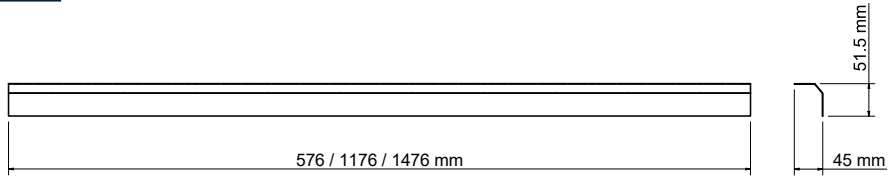
L600: SU PRO 6x3, 6x6

L1200: SU PRO 12x3

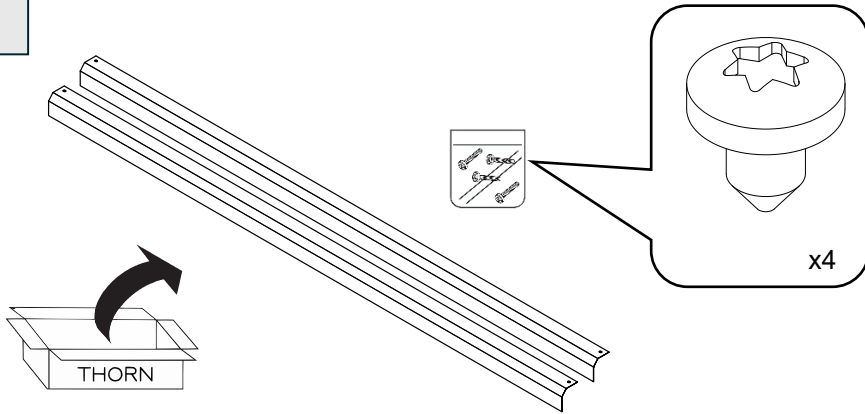
L1500: SU PRO 15x3



i DIMENSIONS

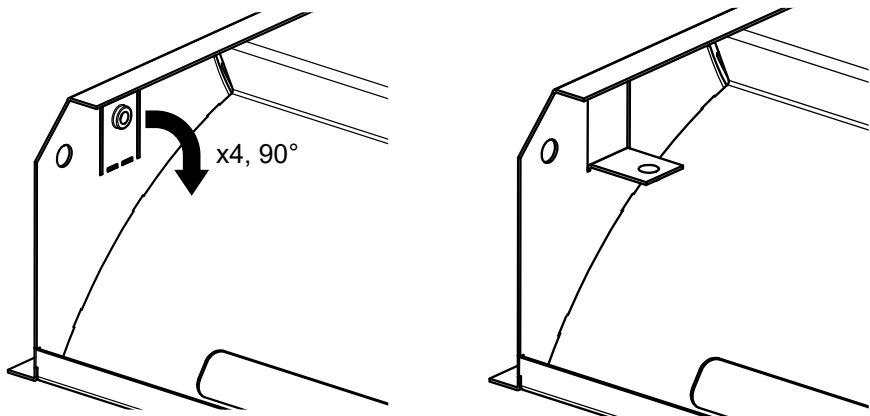


i



Sustain Pro luminaire sold separately

1



2

