

**Functions Instruction (For specific function, please refer to actual model)**



**Emergency**

Emergency function switches automatically between power cut and power restoration.

- Li battery, high efficiency
- Battery duration: 3 hours
- Charge period: 24 hours

**Driver Datasheet (Emergency)**

Input power	3W
Discharge power	2W
Rated Input Voltage(V)	AC230V
Frequency	50/60Hz
Input Voltage	AC200-240V
Rated Input Current	≤0.03A
Battery	6.4V 1500mAh (LifepO4)
Lifetime	Over 2000 cycles
Battery duration	≥3hrs
Charge Period	≤24hrs
Emergency switching time	≤1S
Emergency Operating Temp. (°C)	0°C-25°C

**Instructions for automatic test option**

1. Once the unit is powered up it will automatically initiate a self test and diagnostics as follows:
- Every 4 seconds: Checks for battery disconnection, charger board fault, lamp failure and transformer failure.
  - Every month: Performs a 3 minutes duration test.
  - Every year: Performs a 3 Hours duration test.
- All test functions are factory preset and do not need field adjustment.

**2. Dual Colour Indicator LED Status Mesnings**

Green	Solid On	Ready/Normal Operation
	Flashing	Testing
Red	Requires Service	
On	Red indicator on and flash	Battery temperature abnormal
On+flash	Red indicator on and flash	Battery not be connected
flash	Flash twice within 4 seconds	Low battery voltage
flash	Flash 3 times within 4 seconds	Charger board fault
flash	Flash 4 times within 4 seconds	Transformer fault

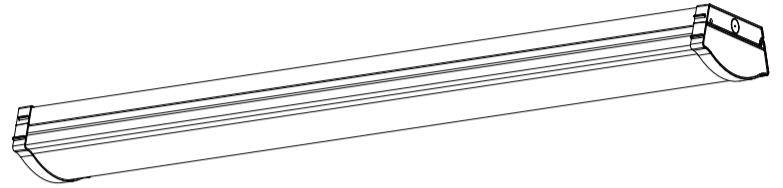
**Note:**

- (1) This product should be installed by a registered electrician in accordance with local standards and electrical regulations.
- (2) Ensure the power supply is under isolated before installation.
- (3) Sealed LiFePO4 rechargeable battery pack, the battery should be replaced when the required duration is no longer achieved.
- (4) To avoid any damage to the fixture and ensure its performance, the battery should be replaced with same brand and type.

# THORN

## LIGHTING

### INSTALLATION INSTRUCTION



### COLLEGE C

### Safety Instructions


To ensure correct function and safety, please read and follow all instructions carefully before using the product:

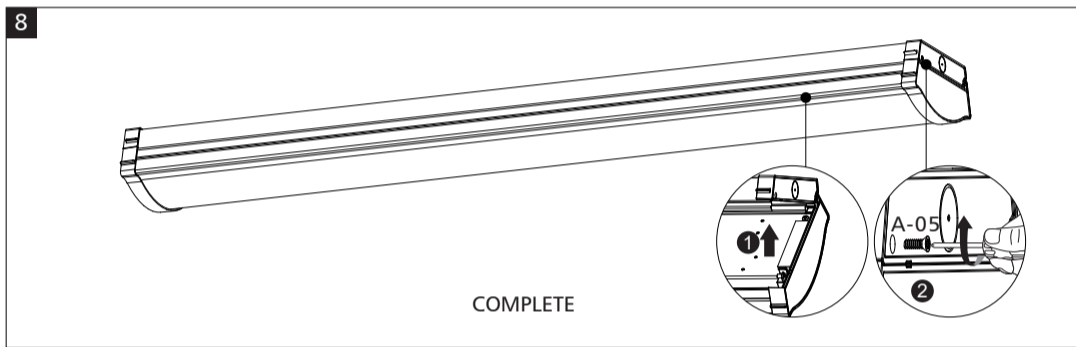
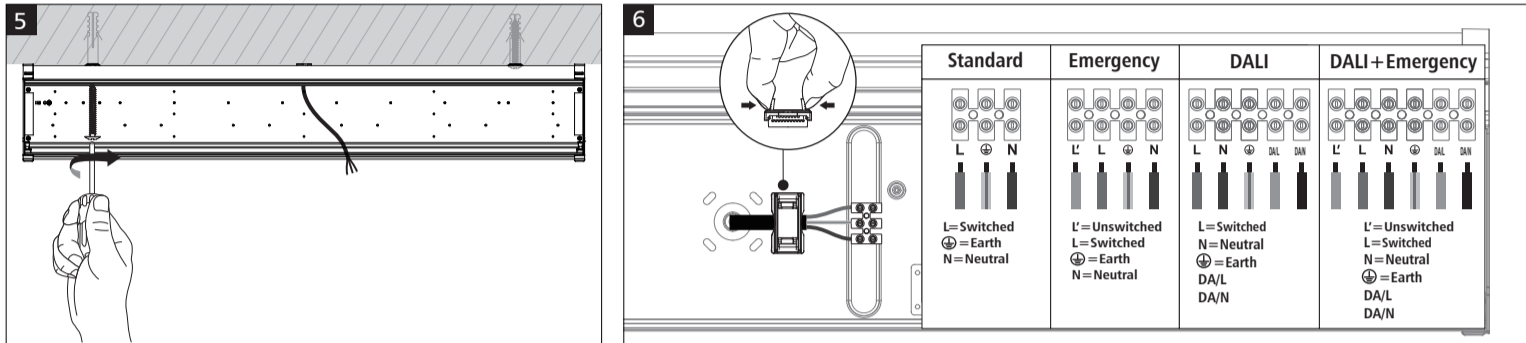
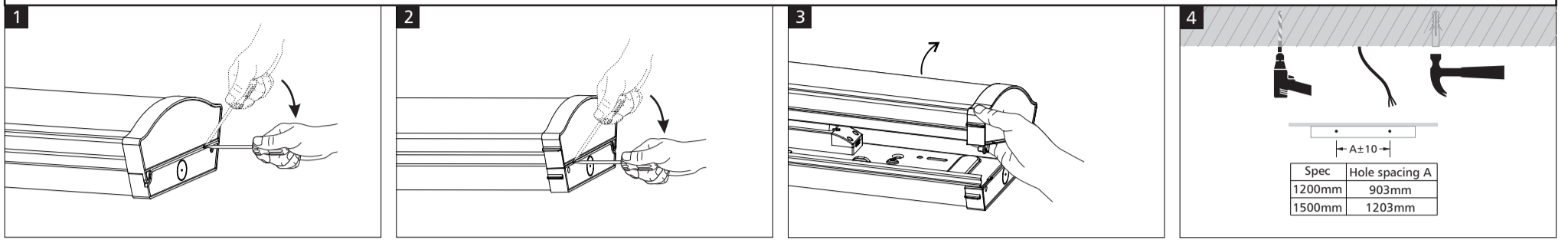
1. Turn off power supply before installation or before doing any maintenance work.
2. Do not install any luminaire near the heat source.
3. Do not exceed the nominal supply voltage or amperage ratings.
4. All wiring and installation of the light fitting must adhere to local and national wiring rules.
5. Take care not to pull any electrical wires during unpacking as this may damage the connection.
6. Lay out all the components on a smooth surface and make sure there are no components missing before assembling.
7. To avoid injury or damage to the fitting, please ensure that power leads and screws are secure before connecting the power.
8. Please keep instructions for future reference.
9. Please refer to IP(Ingress Protection) rating of this luminaire when deciding the location of installation.
10. For long period storage, the battery should be charged and discharged every six months (For Emergency products only).
11. The battery in this luminaire shall only be replaced by the manufacture or his service agent or a similar qualified person.

### Installation Procedure




	<ol style="list-style-type: none"> <li>1. Switch off before installation.</li> <li>2. Switch on only after complete installation and examination of the circuit.</li> <li>3. Professional electrician for installation and maintenance only.</li> </ol>	
--	---	--

## Surface mount

Code	A-01 
QTY	x2



## Suspended mount

Code	A-01 	A-02 	A-03 
QTY	x2	x2	x2

